

# ***Snark Sailboat Manual***

## ***Waterbug or Ladybug***

*(Discontinued – Parts are the Same as the current Super Snark)*

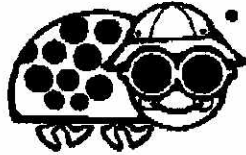
**This manual provided as a courtesy from:**

*CastleCraft*

**[www.castlecraft.com](http://www.castlecraft.com)**

**815-458-3590**

**888-274-8490**



# **WATERBUG**

## **Owners Manual**

Follow the step-by-step instructions on the following pages to assemble your Waterbug. The job will go more quickly if you round up all the necessary tools in advance. You will need a screwdriver; pliers or a small adjustable wrench; a knife, and matches or a cigarette lighter (to seal the ends of the nylon lines so they won't unravel).

As with virtually every activity, there are basic rules you should know — and follow — in order to help assure that sailing will be a safe, enjoyable pastime for you and your family.

For example, the U.S. Coast Guard requires that every person on your boat have an approved life jacket or other flotation device at all times. It is a good idea to make it a practice to wear your life jacket whenever sailing.

You should also have a basic understanding of prevailing current and wind conditions on the waters where you sail, and avoid areas where severe conditions are common. Check the weather before you set out for a day's sailing. Stay within sight of land and plan your activities to allow ample time to be ashore well before nightfall.

Your Waterbug cannot sink, but always remember any sailboat can capsize. Learn the proper procedures for righting a capsized boat. And, if you do capsize, stay with your boat. Shore is always farther away than it looks.



**SNARK PRODUCTS, INC.**

**ONE RIVERSIDE PLAZA, NORTH BERGEN, N. J. 07047**

## SPECIFICATIONS

Length ..... 11 feet 0 inches  
 Beam ..... 3 feet 2 inches  
 Freeboard ..... 12 inches  
 Sail area ..... 45 square feet  
 Depth board down ..... 2 feet  
 Depth board up ..... 3 inches  
 Total weight ..... 55 pounds

Hull weight ..... 40 pounds  
 Carrying capacity ..... 315 pounds  
 Hull material ..... \*Corlite™  
 Mast, boom, spar, tiller ..... Seamless aluminum  
 Rudder head ..... cast aluminum  
 Rudder blade ..... extruded aluminum  
 Wood parts ..... varnished marine plywood

\*Reinforced foam laminate

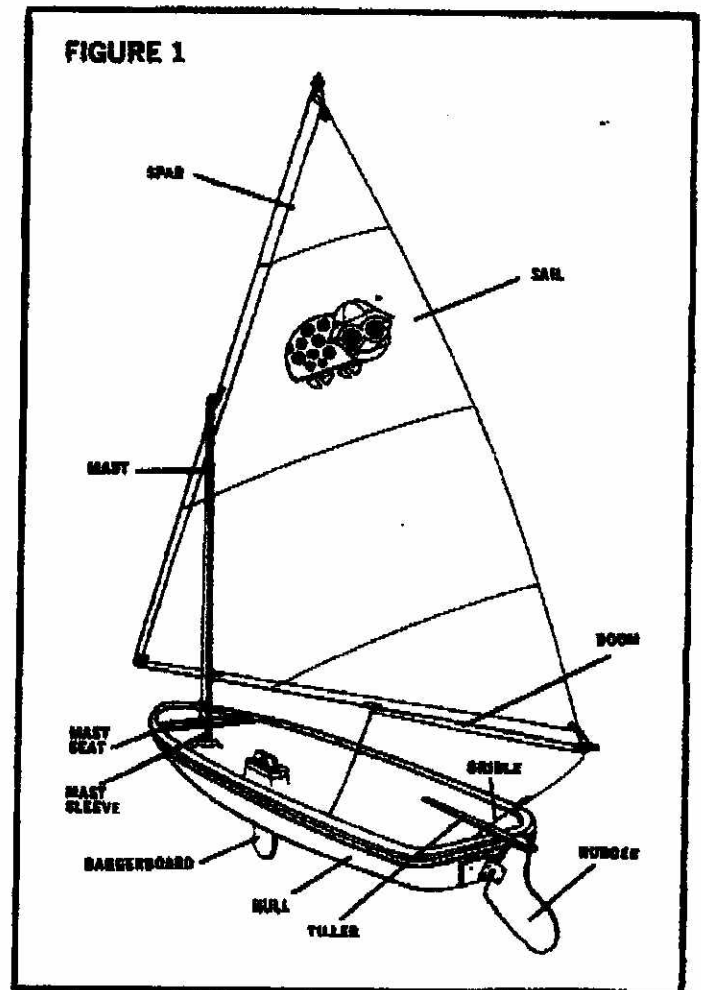
## IMPORTANT

### OWNER'S RESPONSIBILITY

**BE SURE TO READ THE FOLLOWING BEFORE LAUNCHING YOUR SAILBOAT**

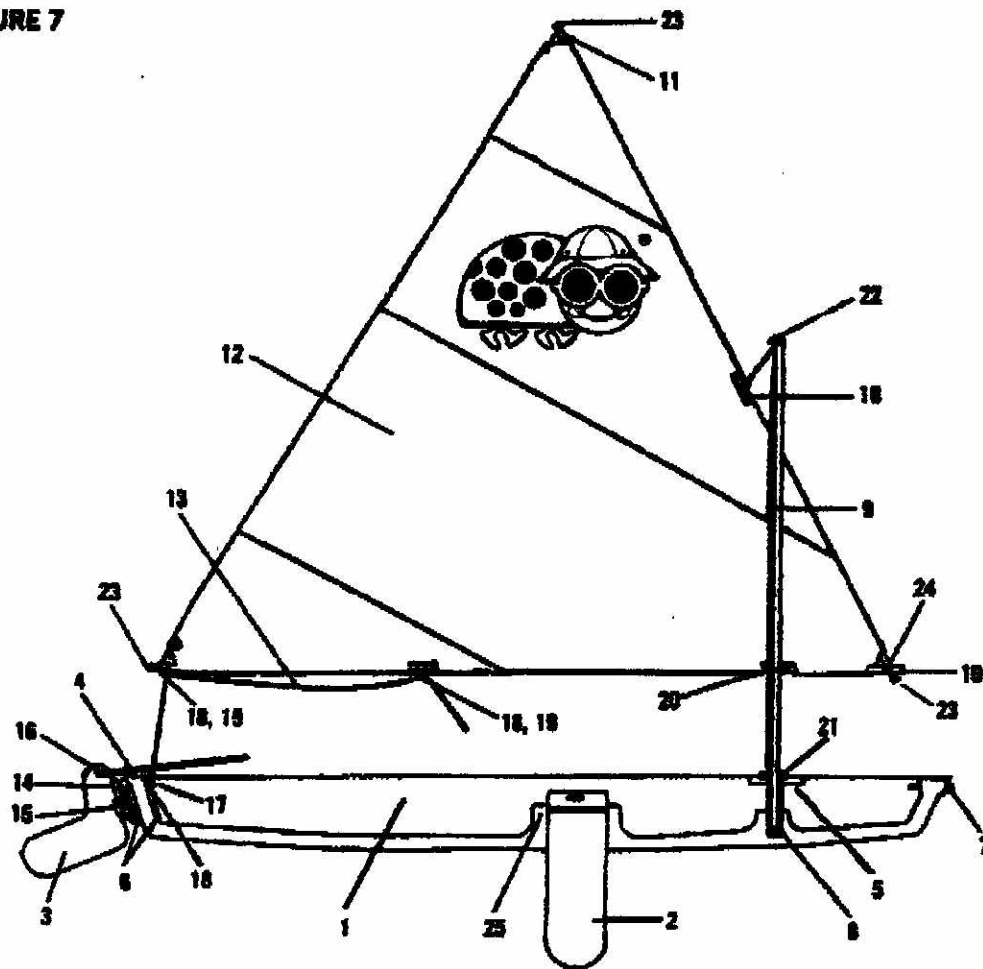
### RULES FOR SAFE BOATING

- A.**  
Before operating your boat, read the **SNARK SAILING MANUAL** carefully and be thoroughly familiar with the rules for safe operation.
- B.**  
Do not overload your boat. Capacities are clearly stated on the **CAPACITY INFORMATION PLATE** located on the transom of the boat.
- C.**  
The Waterbug is a small boat and caution must always be used, particularly when operating on open bodies of water where conditions can be unexpectedly severe.
- D.**  
Always carry a Coast Guard-approved personal flotation device for each person aboard and check with local authorities for regulations governing registration and operation of your boat. If capsizing should occur, stay with your boat until help arrives. It will not sink and is far easier for rescuers to see than a lone swimmer.



# WATERBUG REPLACEMENT PARTS

FIGURE 7



Key No.	Part No.	DESCRIPTION	Sugg. Retail	Key No.	Part No.	DESCRIPTION	Sugg. Retail
1	7122	Hull only, less sail rig and rudder assembly (F.O.B. Factory)	\$180.00	14	7105	Rudder hinge plate (transom) with screws	\$ .75
2	1101	Daggerboard	6.50	15	7106	Rudder hinge tongue (rudder) with screws	1.00
3	1102	Rudder	9.00	16	1133	Rudder hinge "L" pin	.50
4	7101	Tiller w/mounting hardware	4.50	17	7107	Screw eye set for bridle	.25
5	7102	Mast seat w/screws	13.50	18	7108	Eye strap, plastic w/screws	.50
6	7103	Transom pads inner & outer w/mtg. bolts & screw eyes	7.50	19	7109	Nylon ring set for line	.25
7	7104	Bow eye w/nut and washers	.85	20	7110	Boom guide w/screws	.75
8	1108	Mast sleeve	1.00	21	7111	Cleat ABS w/mounting hardware	1.00
9	1109	Mast, silver polished	4.50	22	1123	Mast cap	.50
10	1110	Boom, silver polished	4.50	23	1124	Boom and spar cap (4)	.75
11	1111	Spar, silver polished	4.00	24	7112	Connecting bolt w/nut and washers	.50
12	1811	Sail, 45 sq. ft. yellow/white	25.00	25	1407	Cap, white for daggerboard	2.50
13	1113	Line, 1/4" x 37' for sheet halyard, bridle	2.50	26	7123	Sail assembly	40.00
				27	7115	Rudder assembly	16.50

\*Large Items

## HOW TO ORDER REPLACEMENT PARTS

All parts listed may be ordered directly from Snark Products, Inc., One Riverside Plaza, North Bergen, N. J. 07047 (ATTN: Parts Dept.) When ordering parts, always give the model name and number, part name and number and the quantity. Also be sure you multiply the number of units required by the price of each in computing total cost of your order. The above prices are for one piece per item unless indicated for a pair or set. Enclose your check for the total, plus \$2.50 postage and handling charges. Small items are shipped parcel post prepaid. Add \$9.50 for large items shipped (indicated by asterisk) Railways Express prepaid.